

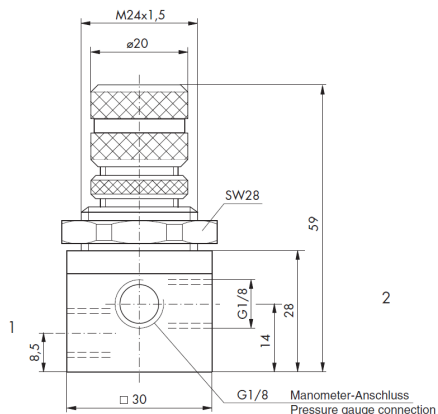
## Pressure regulators 50.780

## Fluid Technology

Pressure regulator with G1/8 Connection  
**Cost-efficient precise pressure regulators**

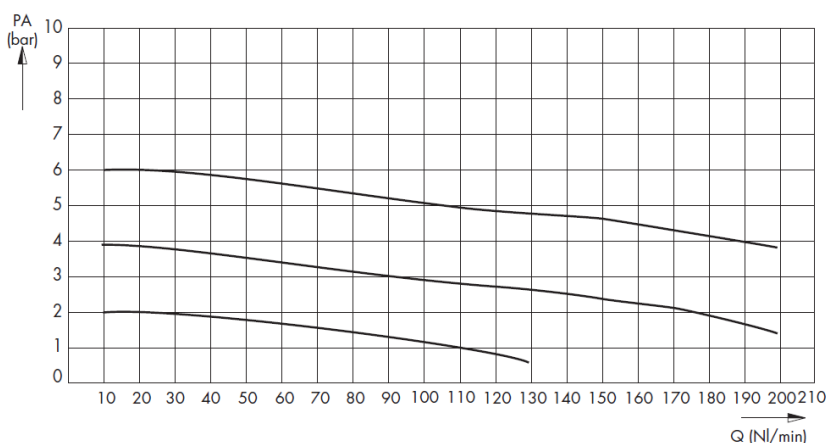
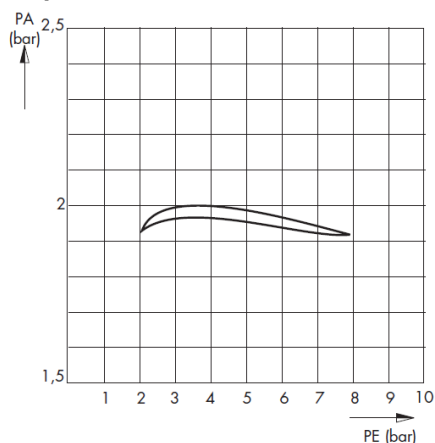


This universal pressure control valve stands out of the ordinary for its particularly good regulating characteristic and ensures a big flow rate. In its square brass design this regulator proves to be an especially solid device.



Max. thickness of front panel plate is 4 mm

### Properties



PA = Output pressure  
 PE = Input pressure  
 Q = Flowing through

I Inlet pressure sensitivity  
 Q = konst. = 5 l/min.  
 Start at PE = 4 bar and PA = 2 bar

II Flow characteristics  
 PE = 8 bar -> PA = 6 bar  
 PE = 8 bar -> PA = 4 bar  
 PE = 8 bar -> PA = 2 bar

Technical Data	Pressure regulators type 50.780
Pressure range	max 10 bar
Pressure range of setting	0...8 bar
Ambient temperature range	0 °C...+60 °C*
Materials	Housing: brass nickel plated
Sealing	Diaphragm: NBR (plies of fabric), EPDM, FKM, other on request
Operating medium	Non aggressive media, oxygen (others upon request)*
Pneumatic connections	Input: 1 x G1/8, output: 3 x G1/8   Flange connection below (on request)
Optional functions	Secondary pressure with bleeder port, fixed factory-settings

\* See Technical Information  
 We reserve the rights of modification, omission, error with respect to the products. Illustrations similar. All rights reserved by the individual copyright holders.